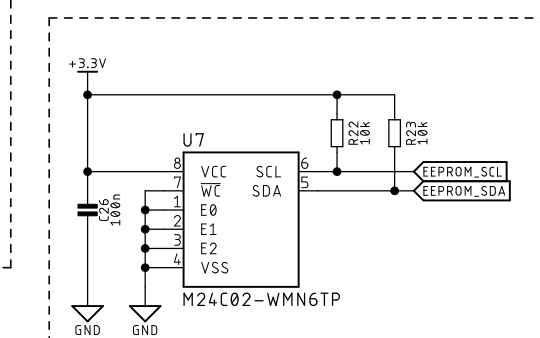
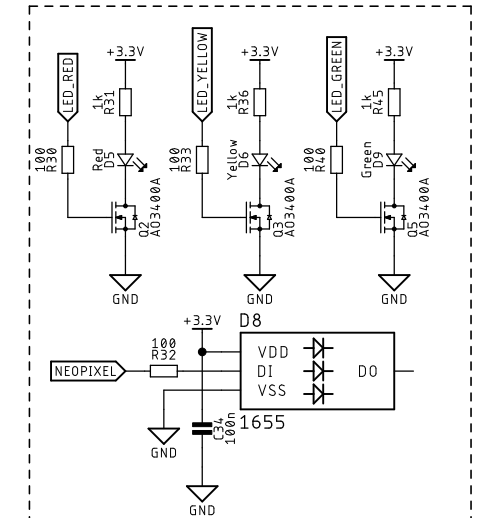
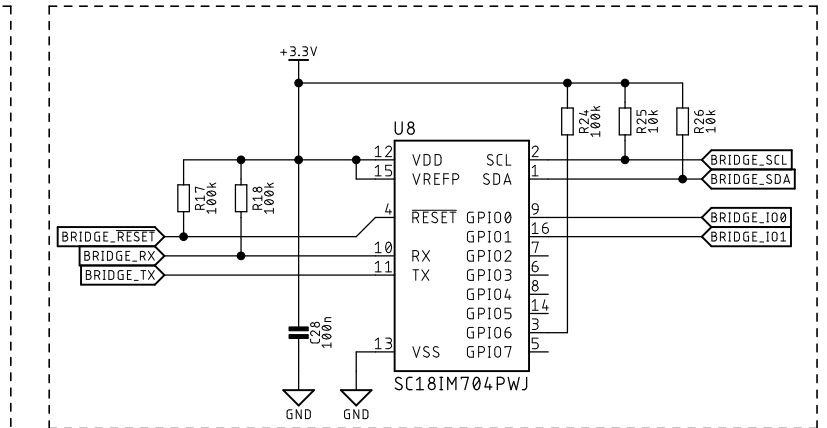
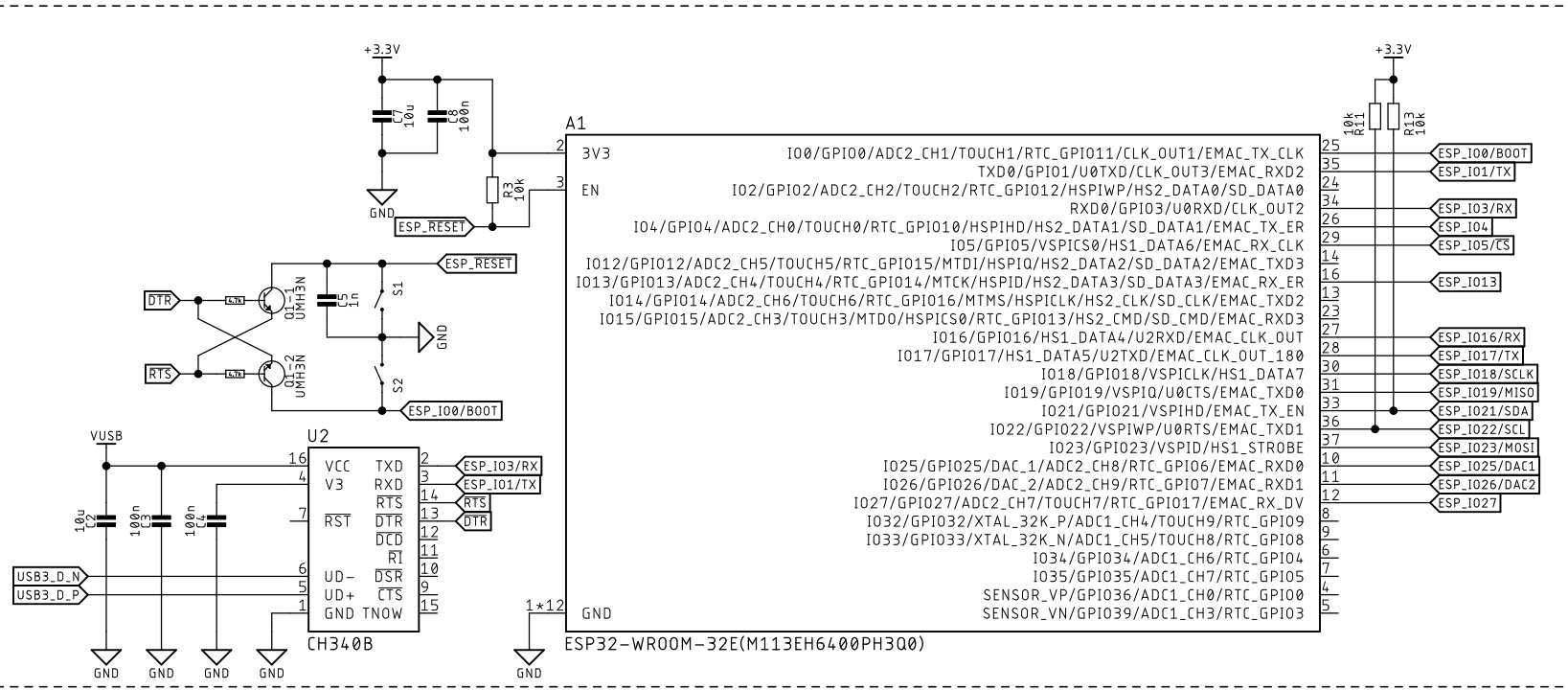
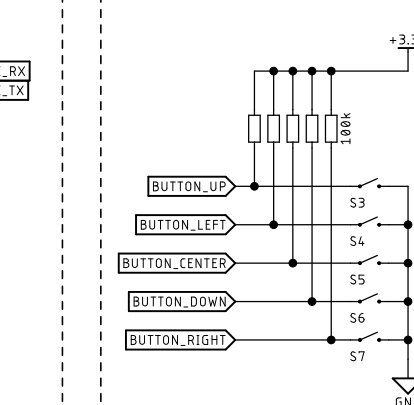
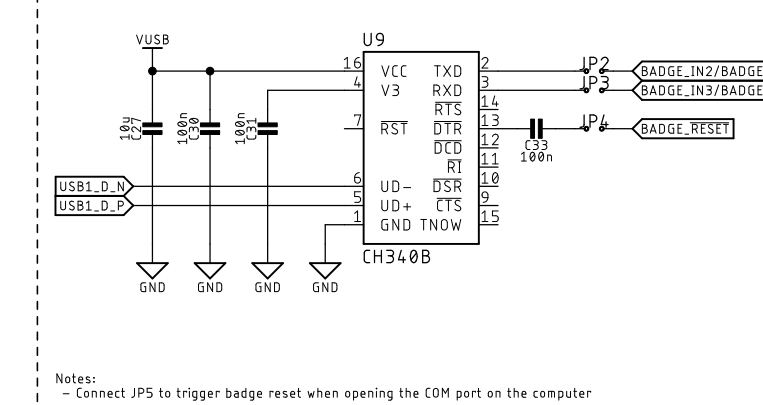
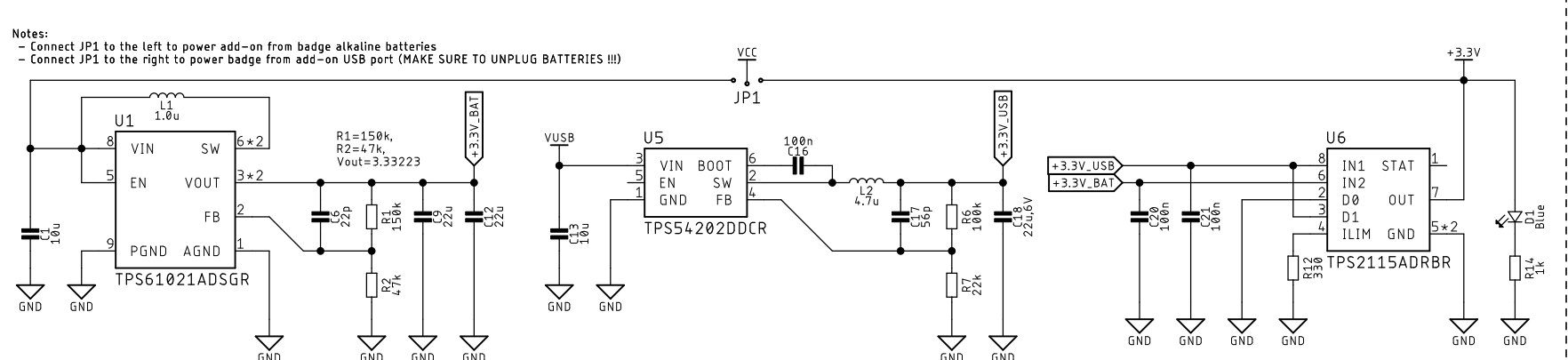
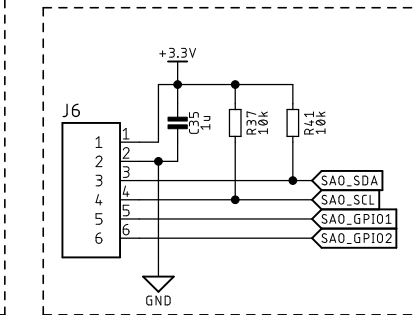
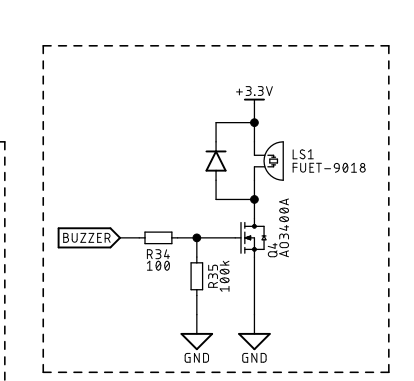
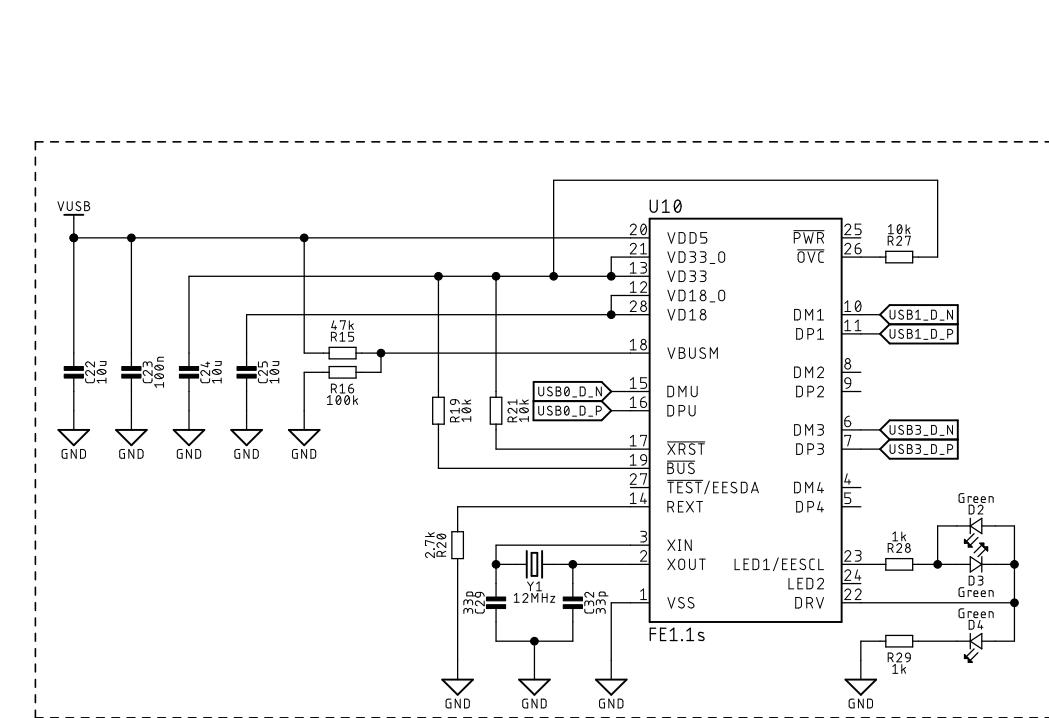
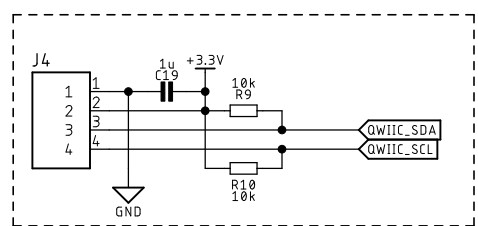
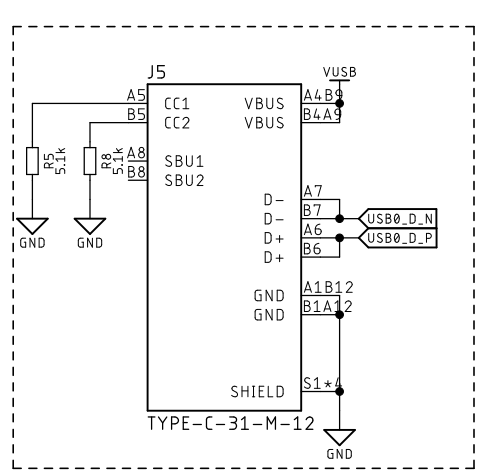
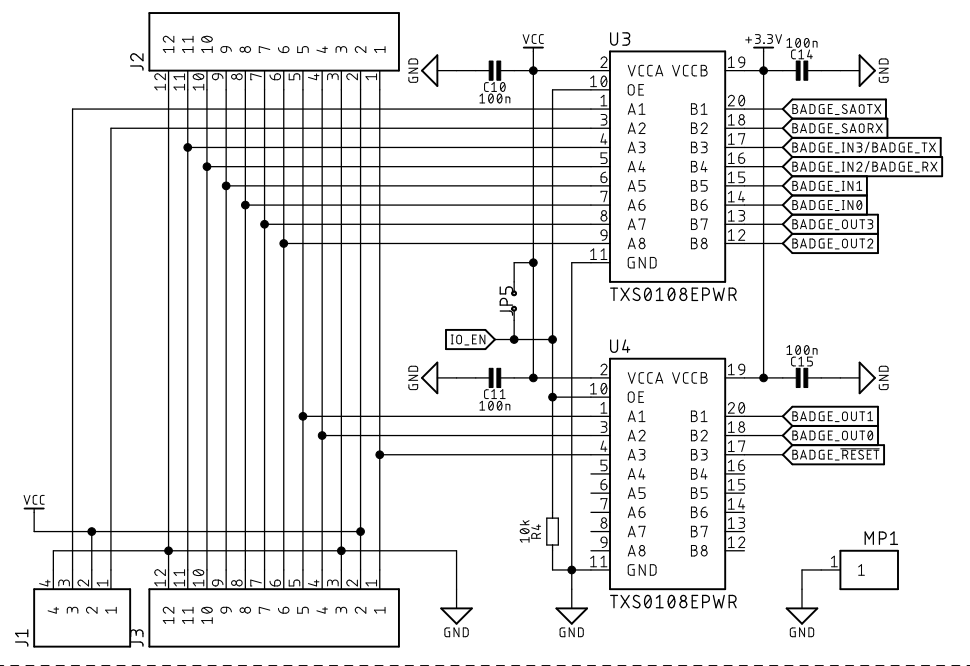


Notes:  
 - Drive EN line high, or connect JP5, to enable the voltage converters  
 - Not sure if the reset line will work



Thoughts on bitbanging I2C:  
 - [http://davbucci.cher-alice.fr/index.php?argument=electronica/pic\\_i2c/pic\\_i2c.inc](http://davbucci.cher-alice.fr/index.php?argument=electronica/pic_i2c/pic_i2c.inc)  
 - <https://calcium3000.wordpress.com/2016/08/19/i2c-bit-banging-tutorial-part-i/>  
 - <https://hackaday.com/2013/08/11/bitbanging-i2c-by-hand/>

Sitron Labs	
sbl00001-r0	
23/10/2022 00:09	Nicolas Schurando
Sheet: 1/1	Rev: 0